

ITEM NOW IN STOCK



DLC Compliant
Models Available

AREA LED LIGHTS

MODEL: LUM-5WPK01

Lumilum LED Area Light Series offers an excellent cost/value proposition in today's energy and lighting-design conscious environment. The products in this series are an efficient replacement option for fixtures that use metal-halide and high-pressure sodium bulbs, at a cost that pays for itself over a relatively short period of time.

Model:		LUM-5WPK01
General Parameters	Power Consumption	50W
	Lumen Output	4,200 LM
	Lifespan	50,000 Hours
	Color Temp. (CCT)	2,700 K (WW), 4,000 K (NW), 6,000 K (CW)
	CRI	>70
	Beam Angle	120°
	IP Rating	IP65 (Suitable for wet locations)
	LED Manufacturer	Bridgelux
	LED Type	COB
	Warranty	3 Years
Physical Description	Housing	Aluminum
	Lens	Clear Tempered Glass
	Finish	Textured Architectural Powdercoat Paint
	Color	Standard: Dark Bronze; Special Order: Black, White, Gray
	Mounting	Elbow Post
	Photocell	(Optional) Dusk-to-Dawn UL Listed

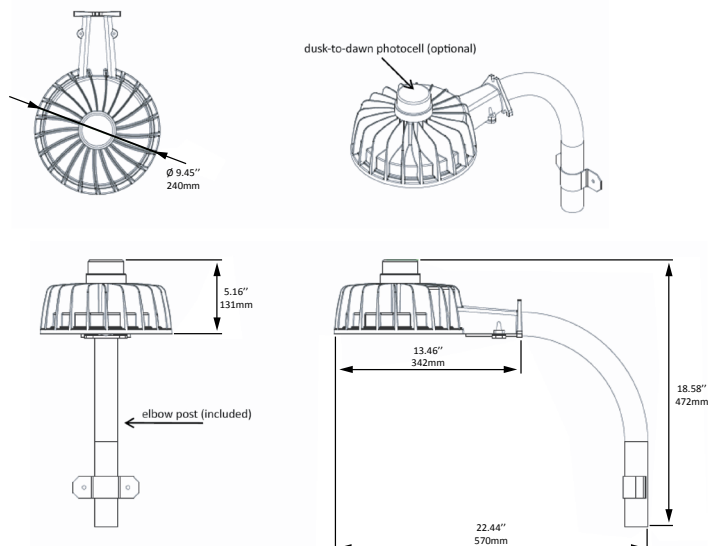
PRODUCT FEATURES

- Replaces 175W / 350 W metal halide
- 50,000 hours of maintenance-free operation
- Uses up to 90% less energy when compared to the HID equivalent
- CRI: >70

- Color Temperature (CCT) 6,000K (other options available)
- Excellent uniformity and target efficacy that evenly illuminates walkways, roadways and parking applications

- Universal voltage (120V through 277V)
- UL Listed for wet locations
- RoHS compliant
- 3-year limited warranty

DIMENSIONS:



IDEAL USES

- Parking areas
- Building facades
- Loading docks
- Landscaping
- Signs and displays
- Walkways